

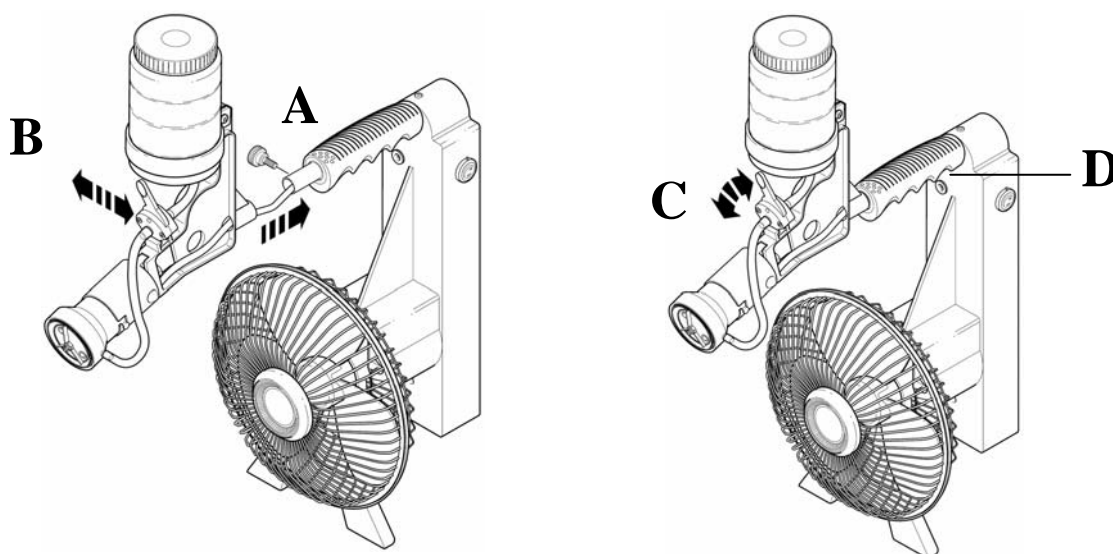
INSTRUCTION MANUAL

ROFA-2005 CDA SPRAYER

Instruction for ROFA-2005 Sprayer

The fully charged battery allows an application for approx. 60 minutes.

The complete equipment: ROFA-2005 complete with integrated
12 V - 2,2 Amp. battery,
½ litre tank
Valve blue
or blue/orange
or red
Battery-Charger 230/12 V or 110/12 V



ROFA-2005

Colour code	Target	Flow at 20 ° C
Valve blue	flying insects	approx. 19,0 ml/min
Valve orange	crawling insects	approx. 40,0 ml/min
Valve red	LOGO BIRD FREE WS 40 undiluted REJEXIT WS 40 undiluted	approx. 19,5 ml/min

Preparing for spraying

- A. Push the atomiser extension onto the connector and fasten it securely by tightening the knurled screw.
- B. Choose the appropriate valve for your spraying needs, push the slide into the seating and carefully attach the tubes on both sides.
- C. The lever operates the shut-off function as well as the dosing of the chemical.

D. Charging the battery

- Plug cable into socket first, then charger into power supply 110 V/60 Hz or 230 V-50 Hz.
Recharging will take approx. 12 hours.
Always store battery fully charged.
If not in use recharge monthly for approx. 2 hours.

Cleaning

ATTENTION!

- Always clean sprayer carefully after use.
Parts of the ULV-Sprayer should **NEVER** be cleaned with a high-pressure water source.
Electronic parts could be destroyed.

USER SAFETY RECOMMENDATIONS

- Always observe the safety recommendations for user protection in the "directions for use" of the chemical and wear the recommended personal protective equipment.
- Do not eat, smoke or drink when working with pesticides.
- Dispose of excess pesticide mix and rinse in accordance with label instructions.
- Always keep pesticides and applicators out of the reach of children.
- After use, thoroughly clean the applicator and allow to dry completely.

SET-UP AND OPERATION OF THE APPLICATOR

BATTERY USE AND CARE

Always start the day with a fully charged battery.

Connect charger plug to battery socket before connecting charging unit to 230 or 110 V outlet. Battery is fully charged in 12 hours. After charging, remove charging unit plug from 230 V outlet, then remove plug from battery socket. Recharge battery after each use and store in fully charged condition. Failure to do so reduces the service life of the battery.

Battery Condition	Charging Time with 300 mA	When to Charge
Totally discharged	12 Hours	immediately after use
Normal usage	6 Hours	immediately after use
Off season storage	2 Hours	monthly

Total spraying time is approx. 60 minutes.

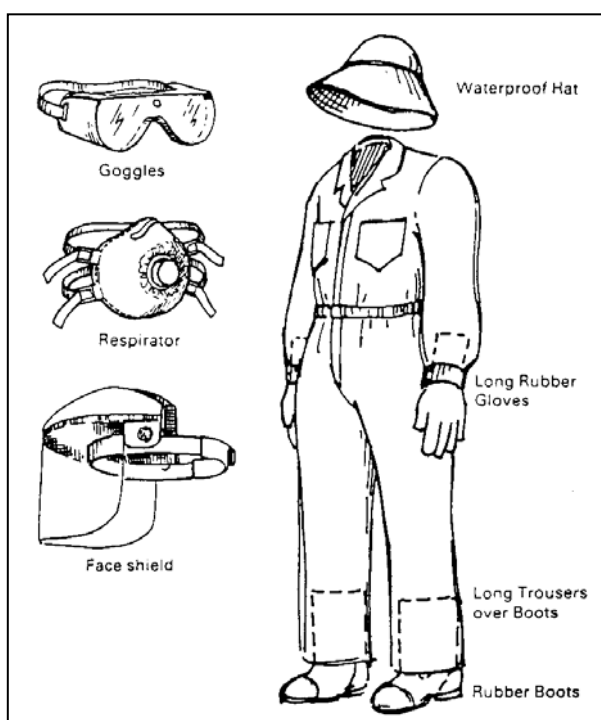
Atomiser and fan are powered by the rechargeable battery. The fluid metering is handled by a dosing diaphragm. The droplets are formed by the centrifugal force of the atomiser.

Flow rate can be affected by temperature fluctuations, therefore the flow rate specified in the calibration table has to be checked and working speed adjusted if necessary. Check the atomiser daily to be sure it is clean and operating smoothly.

CAUTION

Switch on the sprayer first and then open the shut-off valve

Fill tank, switch sprayer on and open the shut-off valve. Be sure you understand all the functions of the sprayer before starting treatment.



Recommended user protection

Calibration, sprayer off

When spraying, the sprayer should be directed backwards and held as far away from the operator as possible.

Attention!

Never move into the spray mist.

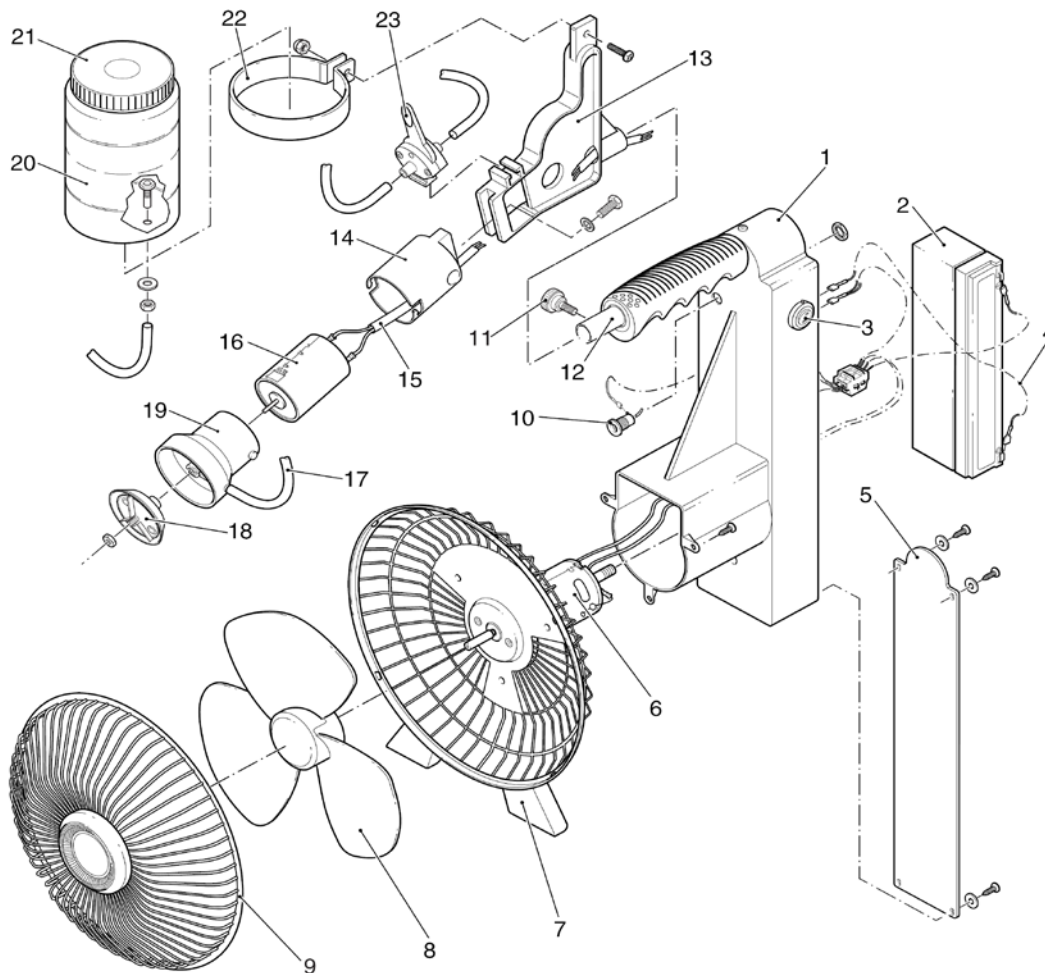
Start spraying on the most distant point and move towards the exit.

Cleaning

Clean the sprayer after each application thoroughly. Empty the chemical from the tank into the original container, fill water and approx. 5 % detergent into the tank and start the sprayer, until tubes and atomiser are clean and only cleaning fluid emerges from the atomiser.

Recharge battery.

Store sprayer in a dry place.



ROFA complete Part no. 100717 incl. Battery and charger

Item	Part No.	Description	Item	Part No.	Description
1	100695	Housing for ROFA	13	100715	Atomiser extension ROFA 2005
2	100690	Storage battery 12 V - 2,2 Ah	14	100139	Cover, upper part, ROFA
3	100692	Rocker switch	15	100712	Atomiser cable with plug for ROFA
4	100710	Battery cable, ROFA	16	101977	Motor for MAFEX/ROFA atomiser
5	100696	Housing cover	17	100703	PVC tube 4 x 2 mm, 18 cm for ROFA
6	100697	Fan motor, ROFA	18	100132	Atomiser disc for MAFEX / ROFA
7	100698	Fan guard, rear, ROFA	19	100126	Cover, lower part
8	100699	Fan, ROFA	20	100262	Bottle 500 ml
9	100700	Fan guard, front, ROFA	21	100261	Bottle lid for 0,5 litre bottle
10	100693	Socket, d=2,1 mm	22	100706	Tank ring for 0.5 ltr bottle
11	100239	Knurled screw M 5 x 15 mm	23	100716	Valve for ROFA, orange and blue
12	100714	Connector with plug Mini-Mantra for ROFA	o. Abb.	100694	Charger 230-12V/350mA, automatic ROFA

Gewährleistungsbedingungen

- I. If the purchase is a commercial transaction for both sides, the Customer must examine the goods immediately on receipt, as far as this is possible during the regular course of business and if there is a defect, inform the Vendor immediately.
- II. If the Customer does not make a complaint, the goods are considered approved, unless there is a defect, which was not visible during the examination. Furthermore §§ 377 ff. HGB applies.
- III. The Vendor may choose to eliminate the defects or deliver an item free of defects, (rectification of defects). If the rectification of defects fails, the Customer has the right to choose to either demand a reduction in price or to withdraw from the contract.
- IV. Further claims from the Customer, in particular due to consequential damage caused by a defect are in principle disqualified. This does not apply in cases of intent, gross negligence or breaches of contract by the Vendor as well as in cases of injury to life, body or health. The right of the Customer to withdraw from the contract remains unaffected.
- V. Warranty claims lapse after 24 months, respectively after 12 months in case of commercial use of the goods. The limitation period begins at delivery. The guarantee expires, if the delivered goods change or are handled incorrectly.
- VI. The Vendor is not responsible for material defects on deliveries, which he sources from third parties and forwards unchanged to the Customer. Responsibility in the case of intent or negligence remains unaffected. The preceding regulations do not imply a change to the burden of proof to the disadvantage of the Customer.
- VII. Claims for defects do not only exist in cases of negligible deviations from the agreed properties and conditions or only in negligible impairment of usefulness.

- VIII. Necessary expenses for the purpose of the rectifying defects are to be paid by the Customer, if they increase due to delivery to a different place than the place of business of the Customer, unless the transport corresponds to its intended use.

EG-Declaration of conformity Council Directive 2006/42/EG

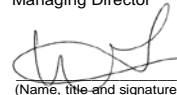
Mantis ULV-Sprühgeräte GmbH, Vierlander Straße 11 a, 21502 Geesthacht declare under our sole responsibility that the following products are in conformity with the provisions of the following Council Directive: 2006/42/EG

Typ MANKAR-ONE, MANKAR-TWO
 Typ MANTRA, MINI-MANTRA / PLUS, MICRO-MANTRA, MICRO-VASO, MANKAR HQ
 Typ FLEXOMANT-1W, FLEXOMANT-2W, FLEXOMANT-3W, FLEXOMANT-4W, FLEXOMANT-PLUS, VARIMANT-1, VARIMANT-2, VARIMANT-4 PLUS, VARIMANT-WINNER-TOP, VARIMANT-WINNER-UNO
 Typ MAFEX
 Typ ROFA

Hiske Weissmann
 Managing Director

Geesthacht January 2015

(Place and date of signature)


 (Name, title and signature)